

# HP Designjet 4500 Printer series



Maximize productivity with the HP Designjet 4500 Printer series: Large input and output capacity for unattended printer operation plus optional high performance scanning/copying make it the ideal color production system for technical applications.



## Unattended color production at low cost

- **Large input and output capacity.** The HP Designjet 4500 Printer series has large, flexible input capacity, with two rolls to allow for different media types or sizes, as well as fast automatic roll switching and long roll support up to 500ft (US) and up to 175m (Europe). It also features large output capacity, with an optional stacker capable of flattening and stacking up to 200 plots.
- **New HP 90 Extra-large 775cc Black Ink Cartridge and 3-ink Cartridge Multipack.** The HP Designjet 4500 series provides greater convenience and fewer interruptions for environments that produce a high volume of line drawings. 3-Ink Cartridge Multipacks and Value packs for each color lower the overall printer costs.
- **No need for trimming with small margin printing.** Ready-to-use prints: The HP Designjet 4500 Printer series creates CAD prints with 0.2in/5mm margins, so there's no need for trimming.
- **Low support costs.** Count on the world-renowned reliability of HP printers and printing supplies to reduce your support costs and increase uptime.

## Superior lines and images

- **Accurate lines and high image quality.** With the ability to deliver up to 2400 x 1200 dpi and 0.1% line accuracy, the HP Designjet 4500 Printer series creates sharp, professional-quality images. And patented dyebased color and pigment-based black HP inks produce accurate lines and images to perfect the job.
- **HP Professional color technologies.** The HP Designjet 4500 Printer series helps you get the right colors on the first print by employing a range of HP's Professional color technologies, including: enhanced sRGB printing and AdobeRGB, Closed Loop Color, TIFF and JPEG with embedded ICC profiles, offset emulation, HP CMYK Plus, Black Point compensation, and Pantone calibration (PS only).
- **Exceptional output quality enabled by HP media.** HP Universal Inkjet Bond paper features industry-leading whiteness for a value bond paper with crisp line resolution and high color-contrast prints. Use HP Super Heavyweight Plus Matte Paper to deliver ripple-free, photorealistic graphics at productive printer speeds and an affordable price and HP Universal Instant-dry Photo Media for immediate lamination and post-printing processing, saving time and money.

## Double your print capacity <sup>(1)</sup>

- **HP Double Swath Technology - twice the performance in color and black and white.** <sup>(1)</sup> Two long-life HP printheads for each color deliver a wide print swath and a higher firing frequency that enables fast printing. Get 2 D/A1-size prints in color and black and white in less than 1 minute <sup>(2)</sup> The embedded processor delivers fast, simultaneous processing and printing up to 100 D/A1-size prints per hour. <sup>(3)</sup>
- **Driverless multi-file printing.** Save time with the driverless multi-file printing workflow that is operating system independent and simply requires a TCP/IP connection and a standard Web browser. Experience support for a wide range of formats, including TIFF, JPEG, CALS/G4, HP-RTL, HP-GL/2, as well as Adobe® PostScript Level 3 and PDF 1.5 to help you quickly and accurately finish any job.
- **Fast, simultaneous processing.** Experience fast, simultaneous processing and printing thanks to the embedded processor. This robust series comes equipped with 256 MB of memory that can be expanded up to 512 MB for excellent performance on even your most complex jobs.

## Easy-to-use integrated solution

- **Integrated copy system.** The integrated copy system of the HP Designjet 4500mfp features realtime printer, media, and queue information in the scanner user interface along with copy accounting in the printer, and copy job priority capability.
- **Outstanding copy and scan performance.** With scan speed of 3 inches per second color and 10 inches per second black and white, 2 D/A1-size prints in less than 1 minute <sup>(3)</sup>, and excellent image quality (508 dpi optical resolution), the HP Designjet 4500mfp delivers outstanding copy and scan performance.
- **Remote printer management and extended accounting support.** The HP Designjet 4500 Printer series comes with the HP Embedded Web Server, which lets you remotely manage printer, ink, and media usage. Plus, you can generate detailed usage reports by job, user, project, or even type of print and automatically send them for remote usage tracking or easy and accurate billing.

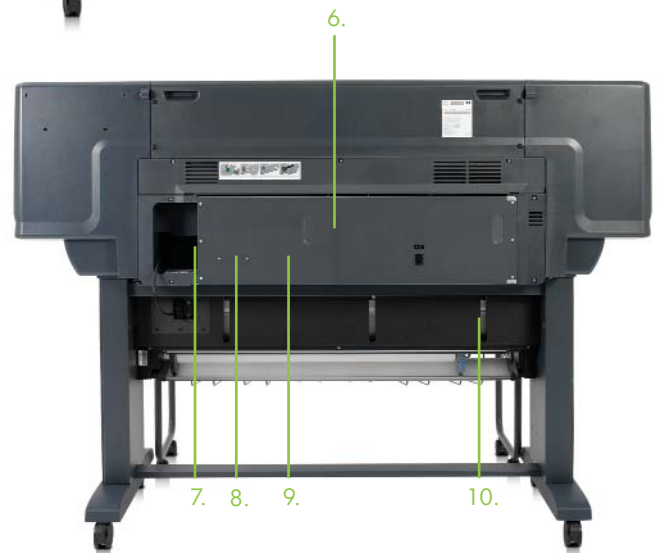
<sup>(1)</sup> Compared to any HP Designjet 600/700/800/1000 Printer series

<sup>(2)</sup> Mechanical printing time. Speed indicated is maximum printer speed; speeds may vary based on printing conditions.

<sup>(3)</sup> Multi-copy printing; total printing time.

# HP Designjet 4500 Printer series

1. Ink supplies of 225 and 400 ml for CMY, and 400 and 775ml for K.
2. Accommodates 2 media rolls with long roll support up to 575 ft/175m.
3. Front panel with user friendly animations.
4. Color consistency and screen-to-print matching with HP Professional Color technologies.
5. Pairs of staggered printheads in the carriage mean the HP Designjet 4500 Printer series has double the print capacity of earlier models.\*
6. HP Embedded Web server for driverless file submission, queue management, preview, supplies and printer status and error notification.
7. HP Embedded Jetdirect Print Server 10/100BT + 2 IEEE1394 (FireWire) ports.
8. EIO port for optional Jetdirect cards.
9. Embedded processor for simultaneous printing and processing. 256 MB memory expandable to 512 MB and 40 GB hard disk.
10. Equipped with a standard bin that holds 25 D/A1-size prints. An optional stacker is capable of flattening and stacking up to 200 plots.



\* Compared to any HP Designjet 600/700/800/1000 Printer series



HP large black ink cartridge



HP long media roll



5 mm margins



HP Double Swath Technology

## HP Designjet 4500 Printer

- Up to 42"/1067 mm wide
- 2400 x1200 dpi maximum resolution
- Two media rolls with long roll support up to 575 ft/175 meter
- Ink supplies of 225 and 400 ml for CMY, 400 and 775 ml for K
- Embedded processor and 256 MB memory expandable up to 512 MB. 40 GB hard disk
- Support for HP-GL/2, HP RTL, TIFF, JPEG, CALS G4

## HP Designjet 4500ps Printer

- All the features of the 4500 model, plus:
- Embedded RIP for Adobe® PostScript® Level 3, Adobe® PDF 1.5

## HP Designjet 4500mfp Printer

- All the features of the 4500 model, plus:
- Embedded RIP for Adobe® PostScript® Level 3, Adobe® PDF 1.5
  - HP Designjet 4500 Scanner

## Optional accessories

- HP Designjet 4500 Stacker
- HP Designjet 4500 Scanner (comes as standard with HP Designjet 4500mfp)
- HP Jetdirect 40d Gigabit Print server
- HP Designjet 4500 - 42in/1067mm Roll Feed Spindle
- High Speed USB 2.0 card
- 256 MB memory upgrade
- HP Jetdirect 620n LAN card

## Optional service and support

- HP Installation Service (1 unit)
- HP Network Installation Service (1 unit)
- HP Next Business Day Onsite Hardware Support, 3 years
- HP 4 hour response 9x5 Onsite Hardware Support, 3 years
- HP 4 hour response 13x5 Onsite Hardware Support - onsite in 4 hours, 3 years
- HP Next Business Day Onsite Hardware Support, 1 year post warranty
- HP 4 hour response 9x5 Same-Day Onsite Hardware Support, 1 year post warranty
- HP 4 hour response 13x5

"With the Designjet 4500 you don't need to constantly check on the printer, instead you can do something else. We easily save 6 to 12 hours a week because of this."

John Jury,  
Director, Reprographix

## Full flexibility from the HP Designjet 4500 Printer series



HP Designjet 4500/4500ps printer



HP Designjet 4500/4500ps printer  
+ optional stacker



HP Designjet 4500mfp



HP Designjet 4500mfp + optional stacker



### More functionality with the HP Designjet 4500mfp

With scan speed of 3 inches per second color and 10 inches per second black and white, 2 D/A1-size prints in less than 1 minute (\*), and excellent image quality (508 dpi optical resolution), the HP Designjet 4500 Printer series delivers outstanding copy and scan performance.

The Designjet's integrated copy system features realtime printer, media, and queue info in the scanner user interface, copy accounting in the printer, and copy job priority capability.

Integration with the printer enables excellent copy quality and performance.

An easy-to-use touch screen, easy color calibration, and easy print settings for printing sets make scanning and copying exceptionally user friendly.

It is easy to integrate with a wide variety of industry leading third-party applications such as scan, raster-to-vector-conversion or document management.

\* Mechanical printing time. Printed in Fast mode on HP Bright White Inkjet Paper (Bond). Speed indicated is maximum printer speed.

### HP Designjet 4500 Stacker (optional)

The HP Designjet 4500 Stacker collects up to 200 D/A1 or E/A0 size plots and automatically flattens them, keeping them organized until you can gather them. Print unattended runs during business hours—and get more done—or overnight.

Free up production staff to work on multiple projects at once. The HP Designjet 4500 Stacker handles large black-and-white or color jobs without intervention. Unattended printing allows users to get more done.

Save time and collect your valuable, high-impact output as it prints with the HP Designjet 4500 Stacker. When you're ready to gather your output, it will be organized and waiting for you.

Neatly and cleanly collects all sizes and weights of printable media supported by the HP Designjet 4500 Printer series\*, including HP Universal Inkjet Bond paper, HP Super Heavyweight Plus Matte Paper, and HP Universal Instant-dry Photo Media.

\* Stacker performance may vary depending on the media used.

# HP Designjet 4500 Printer series

## Technical specifications

<b>Print speed</b>	25 sec D/A1-size t, 93 sqm/hour e, 1000 sqft/hour e, up to 100 D/A1-size prints per hour	
<b>Resolution, maximum</b>	Up to 2400 x 1200	
<b>Line accuracy</b>	+/- 0.1%	
<b>Print margins</b>		
Top	0.2 in/5 mm (Small); 0.45 in/11.5 mm (Normal); 2.1 in/55 mm (Extended)	
Bottom	0.2 in/5 mm (Small & Normal); 2.1 in/55 mm (Extended)	
Side	0.2 in/5 mm (Small & Normal); 0.6 in/15 mm (Extended)	
<b>Printer media</b>		
Thickness (by paper path)	All paths: up to 0.157 in/0.4 mm	
Weight (by paper path)	All paths: 0.11 to 0.72 lb/50 to 328 g/m <sup>2</sup>	
Size	Rolls up to 42 in/1067 mm wide	
<b>Printing</b>		
Technology	HP Thermal Inkjet	
Technology resolution	HP Color Layering technology, HP PhotoREt III	
Print cartridge colors	Black, cyan, magenta, yellow	
Ink types	Black pigmented, CMY dye based	
Ink drop	5 pl color, 15 pl black	
<b>Scan</b> <sup>(1)</sup>		
Speed	Color (200 dpi): 3in/sec (76mm/sec); Black & white (200 dpi): 10in/sec (245mm/sec)	
Resolution	Best Mode: black&white 300 x 300 dpi, color 300 x 300 dpi Draft Mode: black&white 150 x 150 dpi, color 150 x 150 dpi Normal Mode: black&white 200 x 200 dpi, color 200 x 200 dpi Enhanced Mode: black&white 2400 x 2400 dpi, with variable resolution settings from 50 dpi in increments of 1 dpi	
Max. Scan Width	42in/1067mm	
Max. Scan Thickness	0.6 in/15 mm	
<b>Copying</b> <sup>(2)</sup>		
Copy Resolution	300 x 300 dpi	
Reduction/Enlargement	1 to 10,000%	
Maximum Copies	99	
Copier Settings	Type of original, image crop and align preview, lightness, saturation and RGB controls, sharpen/blur, mirror copy, enlarge/reduce, paneling, tiling, nesting, and accounting	
<b>Memory</b>	256 MB (upgradeable to 512 MB), 40 GB hard disk	
<b>Media Handling</b>		
Printers	Two automatic rolls, automatic roll-switching, automatic cutter	
Scanner <sup>(3)</sup>	Straight-through scan paper path for sheet and cardboard originals, output basket	
<b>Media Types</b>		
Printers	Paper (plain, inkjet, coated, heavyweight coated, super heavyweight coated, semi-gloss, translucent bond, natural tracing, photo, vellum), film.	
Scanner <sup>(3)</sup>	Non-abrasive paper, vellum, mylar, sepi, blueprints, plastic, film, plastic laminate, foam board, cardboard, no plywood, no stone plates, no metal plates nor abrasive dirty, rough, sharp edged, metal clamped, burned surfaces	
Stacker	Paper (plain, inkjet, coated, heavyweight coated, super heavyweight coated, semi-gloss, translucent bond, natural tracing, photo, vellum) <sup>(4)</sup>	
<b>Connectivity</b>		
Interfaces Standard: Printers	1 EIO slot, embedded Jetdirect, Fast Ethernet (10/100 Mbps), FireWire (IEEE 1394a-compliant)	
Interfaces Standard: Scanner <sup>(3)</sup>	1 Fast Ethernet 10/100 Base-TX	
Interfaces Optional	HP Jetdirect 620n LAN Card, HP Jetdirect 40d Gigabit Print Server for the HP Designjet 4000 Printer series, HP Designjet 4000 Printer series Hi-speed USB 2.0 card	
Drivers (included)	HPGL/2, HPRTL Windows drivers, PS Windows drivers (HP Designjet 4500ps & HP Designjet 4500mp only), ADI driver for AutoCAD R14, support for AutoCAD 200x, support for Citrix MetaFrame environments, PS driver for Mac OS X v 10.2.8, 10.3, 10.4	
<b>Print languages (standard)</b>		
HP Designjet 4500 Printer	HPGL/2, HPRTL, TIFF, JPEG, CALS-G4	
HP Designjet 4500ps Printer & HP Designjet 4500mp	Adobe PostScript Level 3, Adobe PDF 1.5, HPGL/2, HPRTL, TIFF, JPEG, CALS-G4	
<b>Dimensions (h x d x w)</b>		
Maximum Printer	76 x 31.5 x 53.2 in /1930 x 800 x 1350 mm	
Maximum Scanner <sup>(3)</sup>	70.8 x 40.2 x 54.3 in/1800 x 1020 x 1380 mm	
Maximum Stacker	50.63 x 61.77 x 44.69 in /1286 x 1569 x 1135 mm	
Shipping Printer	83.9 x 30.5 x 52 in (EMEA), 83.9 x 30.5 x 74.4 in (CA, LAR, NA, AP) / 2130 x 775 x 1320 mm (EMEA), 2130 x 775 x 1890 mm (CA, LAR, NA, AP)	
Shipping Scanner <sup>(3)</sup>	75.2 x 27.2 x 28.7 in /1910 x 690 x 730 mm	
Shipping Stacker	55.1 x 31.9 x 23.6 in /1400 x 810 x 23.6 mm	
<b>Weight</b>		
Printer	408 lb/185 kg	
Scanner <sup>(3)</sup>	209.5 lb/95 kg	
Stacker	116.84 lb/53 kg	
Shipping Printer	501.1 lb (EMEA), 600.3 lb (CA, LAR, NA, AP) /227.3 kg (EMEA), 272.3 kg (CA, LAR, NA, AP)	
Shipping Scanner <sup>(3)</sup>	321.9 lb/146 kg	
Shipping Stacker	143.3 lb/65 kg	
<b>What's in the box</b>		
HP Designjet 4500/4500ps	HP Designjet 4500 Printer, stand and basket assembly, Roll Module, Setup Poster, Documentation & Drivers CD, Quick Reference Guide and holder, media sample, maintenance kit, power cord, 3" spindle adaptor (4), printheads (8), printhead cleaners (8), ink cartridges (4), ink cartridge insert, ink printhead insert, Customer Service Guide	
HP Designjet 4500mp	All the features mentioned above, plus HP Designjet 4500 Scanner, Stand and basket assembly, Graphical Display, Keyboard, Power cables, FireWire cables (X2), Media guides (X2), Maintenance sheet, System recovery DVD, Maintenance kit, Plastic dust cover, Scanner Setup Poster, Scanner Quick Reference Guide, Customer service guide	

(1) Mechanical printing time. Printed in fast mode on HP Bright White Inkjet paper (Bond). Speed indicated is maximum printer speed.  
(2) Color image, Bandas\_ckmy.hpg, based on plain paper, 41.53 x 42.36 in/1055 x 1076 mm (Fast Mode), Optimize for Text/Drawings, Maximum Detail = Off

(3) HP Designjet 4500mp only.  
(4) The HP Designjet 4500 Stacker series does not support films, including HP Clear Film and HP Matte Film or other media with long drying time

### Environmental ranges

Operating temperature	41 to 104° F/5 to 40° C
Recommended operating temperature	59 to 86° F/15 to 30° C
Storage temperature	-4 to 131° F/-20 to 55° C
Operating humidity	20 to 80% RH
Recommended humidity	25 to 75% RH

### Acoustic

Sound pressure, active	46 dB(A)
Sound pressure, standby	41 dB(A)
Sound power, active	6.3 B(A)
Sound power, standby	5.8 B(A)

### Power consumption

Maximum	500 watts, 800 watts <sup>3</sup>
---------	-----------------------------------

### Power requirements

Printers	Input voltage 100 to 127 VAC (+/- 10%), 6 amp; 220 to 240 VAC (+/- 10%), 3 amp; 50/60 Hz (+/- 3 Hz); auto range
Scanner	100 to 240 VAC (+/- 10%), auto range, 50/60 Hz, 5 amp maximum <sup>3</sup>

### Power certification

Safety certification	Compliant with IEC 60950, including EU LVD and EN60950, CSA-certified for US and Canada, Mexico NYCE, Argentina IIRAM, Singapore PSB, Russia VNIIS, NEMKO, China CCC, Taiwan BSMI
Electromagnetic compatibility	Compliant with Class A requirements, including EU (EMC Directive), US (FCC rules), Canada (DoC), Australia (ACA), New Zealand (MoC), Japan (VCCI), Korea (MIC), Taiwan (BSMI) Yes, No <sup>3</sup>
Energy Star compliant	One-year next-business-day on-site

### Warranty

#### Service and support

Care packs	UD631A/E: 3 year Next-Day Onsite - onsite next day support
HP Designjet 4500 and 4500ps	UD634A/E: 3 year 9x5 Same-Day Onsite - onsite support in 4 hours
	UD637A/E: 3 year 13x5 Same-Day Onsite - onsite support in 4 hours
	UD640PA/PE: Next day onsite - 1-Year post warranty
	UD641PA/PE: 9x5 Same-day onsite - 1-Year post warranty
	UD642PA/PE: 13x5 Same-day onsite - 1-Year post warranty
	UD644A/E: 3 year Next-Day Onsite - onsite next day support
	UD647A/E: 3 year 9x5 Same-Day Onsite - onsite support in 4 hours
	UD894A/E: 3 year 13x5 Same-Day Onsite - onsite support in 4 hours
	UD897PA/PE: Next-day onsite - 1-Year post warranty
	UD898PA/PE: 9x5 Same-day onsite - 1-Year post warranty
	UD899PA/PE: 13x5 Same-day onsite - 1-Year post warranty

HP Designjet 4500mp

Energy Star® Energy Star logo® are US registered marks of the United States Environmental Protection Agency. Microsoft and Windows are U.S. registered trademarks of Microsoft Corporation. Adobe® and Adobe®PostScript® 3™ are trademarks of Adobe Systems Incorporated. AutoCAD is a U.S. trademark of Autodesk, Inc.  
© 2004 Hewlett-Packard Development Company, L.P. The information contained herein is subject to change without notice. The only warranties for HP products and services are set forth in the express warranty statements accompanying such products and services. Nothing herein should be construed as constituting an additional warranty. HP shall not be liable for technical or editorial errors or omissions contained herein.



## Ordering information

### Product

Q1271A	HP Designjet 4500 Printer
Q1272A	HP Designjet 4500ps Printer
Q1276A	HP Designjet 4500mp

### Accessories

Q5676A	HP Designjet 4500 - 42 inch Roll Feed Spindle
Q5680A	HP Designjet 4000 series High Speed USB 2.0 Card
Q5679A	HP Designjet 4000 series 256 MB Memory Upgrade
Q5677A	HP Designjet 4500 Stacker 220V
Q5677B	HP Designjet 4500 Stacker 110V
J7934G	HP Jetdirect 620n LAN Card
Q5679A	HP Jetdirect 40d Gigabit Print Server for the Designjet 4500 series
Q1277A	HP Designjet 4500 Scanner (comes as standard with HP Designjet 4500mp)

### Ink supplies

C5054A	HP 90 Black Printhead and Cleaner
C5055A	HP 90 Cyan Printhead and Cleaner
C5056A	HP 90 Magenta Printhead and Cleaner
C5057A	HP 90 Yellow Printhead and Cleaner
C5058A	HP 90 Black Ink Cartridge, 400 ml
C5059A	HP 90 Black Ink Cartridge, 775 ml
C5060A	HP 90 Cyan Ink Cartridge, 225 ml
C5061A	HP 90 Cyan Ink Cartridge, 400 ml
C5062A	HP 90 Magenta Ink Cartridge, 225 ml
C5063A	HP 90 Magenta Ink Cartridge, 400 ml
C5064A	HP 90 Yellow Ink Cartridge, 225 ml
C5065A	HP 90 Yellow Ink Cartridge, 400 ml
C5078A	HP Black Value Pack (Printhead & Cleaner + 400 ml Ink Cartridge)
C5079A	HP Cyan Value Pack (Printhead & Cleaner + 400 ml Ink Cartridge)
C5080A	HP Magenta Value Pack (Printhead & Cleaner + 400 ml Ink Cartridge)
C5081A	HP Yellow Value Pack (Printhead & Cleaner + 400 ml Ink Cartridge)
C5082A	HP 90 3-Ink Cyan Cartridge Multipack - 400 ml
C5083A	HP 90 3-Ink Cyan Cartridge Multipack - 400 ml
C5084A	HP 90 3-Ink Magenta Cartridge Multipack - 400 ml
C5085A	HP 90 3-Ink Yellow Cartridge Multipack - 400 ml
C5095A	HP 90 3-Ink Black Cartridge Multipack - 775 ml
C5096A	HP 90 Black Printhead Cleaner

### Media supplies

C6910A	HP Bright White Inkjet Bond Paper (36 in x 300 ft/914 mm x 91.4 m)
51642B	HP Matte Film (36 in x 125 ft/91.4 mm x 38 m)
C3868A	HP Natural Tracing Paper (36 in x 150 ft/914 mm x 45.7 m)
C3859A	HP Translucent Bond (36 in x 150 ft/914 mm x 45.7 m) NA, LA, AP
C6980A	HP Coated Paper (36 in x 300 ft/914 mm x 91.4 m)
C6030C	HP Heavyweight Coated Paper (36 in x 100 ft/914 mm x 30.48 m)
Q1956A	HP Heavyweight Coated Paper (42 in x 225 ft/1067 mm x 68.58 m) NA & EMEA
Q6576A	HP Universal Instant Dry Photo Gloss (42 in x 100 ft/1067 mm x 30.48 m)
Q6581A	HP Universal Instant Dry Photo Semi-Gloss (42 in x 100 ft/1067 mm x 30.48 m)
Q8004A	HP Universal Inkjet Bond Paper (A1, 594 mm x 91.5 m) EMEA & JP
Q8002A	HP Universal Inkjet Bond Paper (36 in x 500 ft/914 mm x 152.4m)
Q8005A	HP Universal Inkjet Bond Paper (A0, 841 mm x 91.5 m) EMEA & JP
Q1398A	HP Universal Inkjet Bond Paper (42 in x 150 ft/1067 mm x 46.7 m) NA, EMEA, AP
Q1406A	HP Universal Coated Paper (42 in x 150 ft/1067 mm x 46.7 m)
Q1414A	HP Universal Heavyweight Coated Paper (42 in x 100 ft/1067 mm x 30.48 m) NA, EMEA, AP
Q6627A	HP Super Heavyweight Plus Matte Paper (36 in x 100 ft/914 mm x 30.58 m) NA, EMEA, AP
Q6628A	HP Super Heavyweight Plus Matte Paper (42 in x 100 ft/1067 mm x 30.48 m) NA, EMEA, AP

For more information, visit our website at

[www.hp.com/go/designjet4500](http://www.hp.com/go/designjet4500)

# HP Designjet 4500 Scanner



Streamline workflow and improve productivity by bringing large-format, color scanning in-house to complement your current large-format printing capability. Use the included software to integrate the scanner into your existing production environment.

## Enable powerful color copy/scan functions in-house

- **Outstanding scan performance increases efficiency.** With scan speeds up to 3in/76 mm per second color and 10in/253 mm per second black and white, the HP Designjet 4500 Scanner delivers outstanding copy and scan performance and increases efficiency. The output basket will accept scanned originals for fast and easy operation during a high-volume batch-scanning job. Scan, then save, print or copy and move on to the next task without ever leaving your HP system.
- **High processing speed makes short work of large files.** The HP Designjet 4500 Scanner comes standard with an embedded operating system and an Intel Pentium IV processor. The 2.6Ghz processing speed, 1GB memory, and 30GB hard disk drive enable faster scan and copy performance.
- **Powerful scan resolution creates high-quality images with realistic colors and precise lines.** Use the HP Designjet 4500 Scanner to create scans that have a level of detail that is comparable to the originals. With a resolution of 508 dpi optical and 2400 ppi enhanced from three cameras, and a 0.1 percent line accuracy, your scanned files are indistinguishable from new output, and reproduce the original documents precisely. The monochrome Dual 2D-Adaptive enhancement technology produces clean and crisp scans even from poor-quality originals.
- **Produce large-format color and black-and-white scans from wide or thick, rigid originals.** Add scanning functionality to produce electronic files and hard copies of color and black-and-white documents. The scanner accepts originals up to 43in/1092 mm wide and 0.6in/15.2 mm thick, so you can handle oversized and heavyweight originals even those mounted on foam board. The 42-in/1067-mm scan area captures wide-format images for easy printing, copying, and saving. The scanner does not limit scan length.
- **Low support cost.** Service certain parts more easily yourself and rely on HP's award-winning service.

## Create an integrated HP scan-copy-print system

- **Closed-loop color calibration gives you consistent color reproduction.** Every scan, copy, and print contains the same colors as the original document. Create and store your custom media profiles to obtain outstanding color accuracy - print after print.



- **Integration with the printer enables excellent ease of use, copy quality, and performance.<sup>(†)</sup>** The Designjet 4500 Scanner's integrated copy system features realtime printer, media, and queue information in the scanner user interface, copy accounting in the printer, and copy job priority capability.
- **Preconfigured drivers and network connectivity integrate your entire HP production system.** With the HP Designjet 4500 Scanner, you don't have to worry about device compatibility. The preconfigured drivers and built-in network connectivity make it easy to add this scanner to your HP Designjet 5000/5500 series, 4000/4500 series, 1000 series, and 500/800 series products. Eliminate user retraining by including this scanner in your HP design-and-production solution.
- **Easy to integrate with a variety of third party applications.** These range from scan applications, raster-to-vector conversion to document management.

## Scan, copy, and print at the touch of a button

- **Use the touch-screen graphical display for easy, intuitive operation.** Even untrained users can produce great copy and scan results from the intuitive, 15in/381mm, touch-screen display. The graphical interface walks the user through the appropriate procedure to produce the type of document or file that you need. Rather than mixing different brands, simply add the HP Designjet 4500 Scanner to the HP Designjet products that you already know and trust.
- **Use advanced copy features to streamline your job.** The advanced copy functions of the HP Designjet 4500 Printer series help you make copies quickly and easily. Enlarge or reduce images and adjust margins to create the ideal image. Use the nesting option to save media, and make large enlargements easily with the paneling option. You can also track your output by using the integrated accounting features.
- **Seamless network connectivity for easy access.** The HP Designjet 4500 Scanner fits seamlessly into your production setup and your network. Using 10/100Base-T networking and TCP/IP protocols, you can communicate across a network on the keyboard that comes standard with this stand-alone or add-on scanner.

<sup>(†)</sup> Only valid for connection with the HP Designjet 4000/4500 Printer series.

# HP Designjet 4500 Scanner

1. The built-in scanner accepts originals up to 43in/1092mm wide and 0.6in/15.2mm thick.
2. 42-in/1067-mm scan area captures wide-format images for easy printing, copying, and saving.
3. Scan resolution of 508 dpi optical and 2400 ppi enhanced.
4. Scan speed up to 3in/76mm per second color and 10in/253mm per second black and white.
5. Intuitive, 15-in/381mm, touch-screen display with graphical interface.
6. Includes Read/Write DVD to save scanned documents on DVDs and CDs.
7. 2.6Ghz processing speed, 1GB memory, and 30GB hard disk drive for faster scan and copy performance.



## HP Designjet 4500 Scanner at a glance

### HP Designjet 4500 Scanner

- 42-in/1067-mm scan area
- Accepts originals up to 0.6in/15.2mm thick
- 508 dpi optical and 2400 ppi enhanced scan resolution
- 3in/76 mm per second color and 10in/253 mm per second black and white scan speed
- 2.6Ghz processing speed, 1GB memory, and 30GB hard disk drive

### Optional service and support

- HP Installation Service (1 unit)
- HP Network Installation Service (1 unit)
- HP Next Business Day Onsite Hardware Support, 3 years
- HP 4 hour response 9x5 Onsite Hardware Support, 3 years
- HP 4 hour response 13x5 Onsite Hardware Support - onsite in 4 hours, 3 years
- HP Next Business Day Onsite Hardware Support, 1 year post warranty
- HP 4 hour response 9x5 Same-Day Onsite Hardware Support, 1 year post warranty
- HP 4 hour response 13x5

"The Designjet 4500 scanner and printer together are 3 times faster than the configuration we had before. We ran one set of 50 drawings and completed the job in one third of the time"

John Jury,  
Director, Reprograffix

### Scanner

Superior technology for superior results

- Three digital cameras scan at a resolution of up to 508 ppi optical and 2400 enhanced, with 0.1 percent line accuracy
- Full, vivid color with 24-bit color and 8-bit graytone
- High-speed, 200-dpi color scanning at 3 inches/76mm per second and 200-dpi monochrome scanning at 10 inches /253mm per second
- Scan media up to 42 inches/1067mm wide and up to 0.6 inches /15.2mm thick, for handling oversized, heavyweight originals-even cardboard
- Color image processing technology provides color correction and 2-D filters for color sharpening, color softening and blur reduction

### Software

Complete functionality and control

- Preview your image for a high quality, precision job
- Copy, enlarge, reduce, or adjust colors and settings, for perfecting even your originals
- Scan to file, or DVD/CD in the most common file formats, including .pdf, .tif, .jpeg, and CALS/G4
- Print your scanned jobs in unattended batches with the prints-list feature
- Print locally or print through the network to HP Designjet 500, 800, 1000, 4000/4500, or 5000/5500 Printer series
- Use the nesting option to save media
- Make enlargements easily with the paneling option
- Track your output using the integrated accounting features

### Graphical display

Convenient, easy-to-use interface

- Touchscreen running embedded operating system
- Pentium IV, 2.6 Ghz and 30 GB of memory for scanned jobs
- Small keyboard included for easy data entry and network access
- DVD/CD reader/writer included for efficiency and versatility
- Fast network connection (TCP/IP)

### Support & service

One-stop support & service

- One-year onsite warranty
- Additional support options include physical installation with or without network configuration, three-year warranty extension, and a one-year post warranty
- 24-hour online support via [www.designjet.hp.com](http://www.designjet.hp.com) provides troubleshooting tips, driver downloads, user forums, and documentation
- Toll-free phone support with product experts

### Compatible HP Printer series



HP Designjet 500



HP Designjet 800



HP Designjet 1000/1055



HP Designjet 4000



HP Designjet 4500



HP Designjet 5000/5500

# HP Designjet 4500 Scanner

## Technical specifications

	Black & white	Color	Black & white	Color
<b>Scanning</b>				
Speed	(200 dpi): 10 in/sec (200 dpi): 254 mm/sec	(200 dpi): 3 in/sec (200 dpi): 78 mm/sec		
Resolution	Best mode 300 x 300 dpi Normal mode 200 x 200 dpi	300 x 300 dpi 200 x 200 dpi	Draft mode 150 x 150 dpi Enhanced mode 2400 x 2400 dpi with variable resolution settings from 50 dpi in increment of 1 dpi	150 x 150 dpi
Maximum scan width	42 in/1067 mm			
Maximum scan thickness	0.6 in/15 mm			
<b>Media</b>				
Handling	Straight-through scan paper path for sheet and cardboard originals, output basket			
Types	Non-abrasive paper, vellum, mylar, sepia, blueprints, plastic, film, plastic laminate, foam board, cardboard, no plywood, no stone plates, no metal plates nor abrasive dirty, rough, sharp edged, metal clamped, burned surfaces			
<b>Memory</b>	1 GB RAM internal memory and 20 GB hard disk			
<b>Connectivity</b>				
Processor	2.6 GHz			
Processor type	Intel Pentium 4			
Network operating systems	Windows 95, NT 4.0, 98, 2000, XP Home, XP Professional; IBM OS/2 WARP v 3.0, 4.0; HP-UX v 10.X, 11.X; Sun Solaris 2.5X, 2.6; IBM AIX v 3.2.5 and later; MPE-IX v 5.5; Mac OS 9.X, OS X			
Interfaces	1 Fast Ethernet			
Drivers	HP Macroinstaller with Windows drivers for HP Designjet 500, 800, 1000, 5000, 4000 and 4500 series printers			
<b>Dimensions (h x d x w)</b>				
Maximum	70.8 x 40.2 x 54.3 in/1800 x 1020 x 1380 mm			
Shipping	75.2 x 27.2 x 28.7 in /1910 x 690 x 730 mm			
<b>Weight</b>				
Scanner	209.5 lb/95 kg			
Shipping	321.9 lb /146 kg			
<b>What's in the box</b>	HP Designjet 4500 Scanner, Stand and basket assembly, Touch Screen (Panel PC), Keyboard, Power cables, FireWire cables (X2), Media guides (X2), Maintenance sheet, System recovery DVD, Maintenance kit, Plastic dust cover, Scanner Setup Poster, Scanner Quick Reference Guide, Customer Service Guide			

### Environmental ranges

Operating temperature	64 to 90° F/18 to 32° C
Recommended operating temperature	59 to 86° F/15 to 30° C
Storage temperature	-4 to 131° F/-20 to 55° C
Operating humidity	20 to 80% RH
Recommended humidity	25 to 75% RH

### Acoustic

Sound pressure, active	46 dB(A)
Sound pressure, standby	41 dB(A)
Sound power, active	6.3 B(A)
Sound power, standby	5.8 B(A)

### Power consumption

Active	300 watts maximum
Off	3.5 watts

### Power requirements

#### Power certification

Safety certification

Compliant with IEC 60950, including EU LVD and EN60950, UL certified for US and Canada, Mexico NYCE, Argentina IRAM, Singapore PSB, Russia VNIIS, Demko, China CCC, Taiwan BSMI

Electromagnetic compatibility

Compliant with the requirements for Class A ITE products: EU (EMC Directive), USA (FCC, DoC), Canada (DoC), Australia (ACA), New Zealand (MoC), Japan (VCCI), Taiwan (BSMI), China (CCC)

Energy Star compliant

No

### Warranty

#### Service and support

Care packs

UD900A/E: 3 year - onsite next day support

UD901A/E: Next day onsite - 1 year post warranty

## Ordering information

Q1277A HP Designjet 4500 Scanner

Supported Printers:

C7769B HP Designjet 500 Printer (24-inch)  
 C7769C HP Designjet 500ps Printer (24-inch)  
 C7770B HP Designjet 500 Printer (42-inch)  
 C7770C HP Designjet 500ps Printer (42-inch)  
 C7780B HP Designjet 800 Printer (42-inch)  
 C7779B HP Designjet 800 Printer (24-inch)  
 C7779C HP Designjet 800ps Printer (24-inch)  
 C7780C HP Designjet 800ps Printer (42-inch)  
 C6074A HP Designjet 1050c Printer (36-inch)  
 C6074B HP Designjet 1050c Plus Printer (36-inch)  
 C6075A HP Designjet 1055cm Printer (36-inch)  
 C6075B HP Designjet 1055cm Plus Printer (36-inch)  
 Q1273A HP Designjet 4000 Printer  
 Q1274A HP Designjet 4000ps Printer  
 Q1271A HP Designjet 4500 Printer  
 Q1272A HP Designjet 4500ps Printer  
 C6096A HP Designjet 5000ps Printer (60-inch)  
 C6091A HP Designjet 5000ps Printer (42-inch)  
 C6095A HP Designjet 5000 Printer (60-inch)  
 C6090A HP Designjet 5000 Printer (42-inch)  
 C6096V HP Designjet 5000ps UV Printer (60-inch)  
 C6091V HP Designjet 5000ps UV Printer (42-inch)  
 C6095V HP Designjet 5000 UV Printer (60-inch)  
 C6090V HP Designjet 5000 UV Printer (42-inch)  
 Q1254A HP Designjet 5500ps Printer (60-inch)  
 Q1252A HP Designjet 5500ps Printer (42-inch)  
 Q1253A HP Designjet 5500 Printer (60-inch)  
 Q1251A HP Designjet 5500 Printer (42-inch)  
 Q1254V HP Designjet 5500ps UV Printer (60-inch)  
 Q1252V HP Designjet 5500ps UV Printer (42-inch)  
 Q1253V HP Designjet 5500 UV Printer (60-inch)  
 Q1251V HP Designjet 5500 UV Printer (42-inch)

Energy Star® Energy Star logo® are US registered marks of the United States Environmental Protection Agency. Microsoft and Windows are U.S. registered trademarks of Microsoft Corporation. Adobe® and Adobe® PostScript® 3™ are trademarks of Adobe Systems Incorporated. AutoCAD is a U.S. trademark of Autodesk, Inc. © 2004 Hewlett-Packard Development Company, L.P. The information contained herein is subject to change without notice. The only warranties for HP products and services are set forth in the express warranty statements accompanying such products and services. Nothing herein should be construed as constituting an additional warranty. HP shall not be liable for technical or editorial errors or omissions contained herein.



For more information, visit our website at  
[www.hp.com/go/designjet4500](http://www.hp.com/go/designjet4500)

